

Manual Máquina de Corte 8 Polegadas

AUTO-SHARPENING CUTTING MACHINE

CE

IMPORTANT

This part book contains instruction and part number for the machine

When ordering parts please specify machine part no. and name.



CAUTION
Machine Equipped
With
Sharp Blade

INSTRUCTION BOOK AND PARTS LIST

CUTTING MACHINE

Operation, Lubrication and Care

Before operating machine, read this page carefully.

Before operating the motor, be sure that electric supply voltage and current are the same as stamped on the nameplate.

Fill oil cup. Push in turning knob and turn the machine over a few revolutions by hand to see if the knife moves easily.

WARNING

This machine is equipped with a sharp knife. Keep hands away from the knife area at all times. Use control levers and handles only when operating or handling machine.

CARE OF MACHINE

Use air hose or bellows with proper eye shields and blow lint out of motor and sharpener twice a week. Remove cover over cam and clean out lint around screw mechanism in sharpener once a week. Remove knife and clean slides with slot cleaner at least once a day. To prevent undue accumulation of lint, do not oil plate rollers. If rollers stick, remove from plate and wash in cleaning solvent.

WARNING

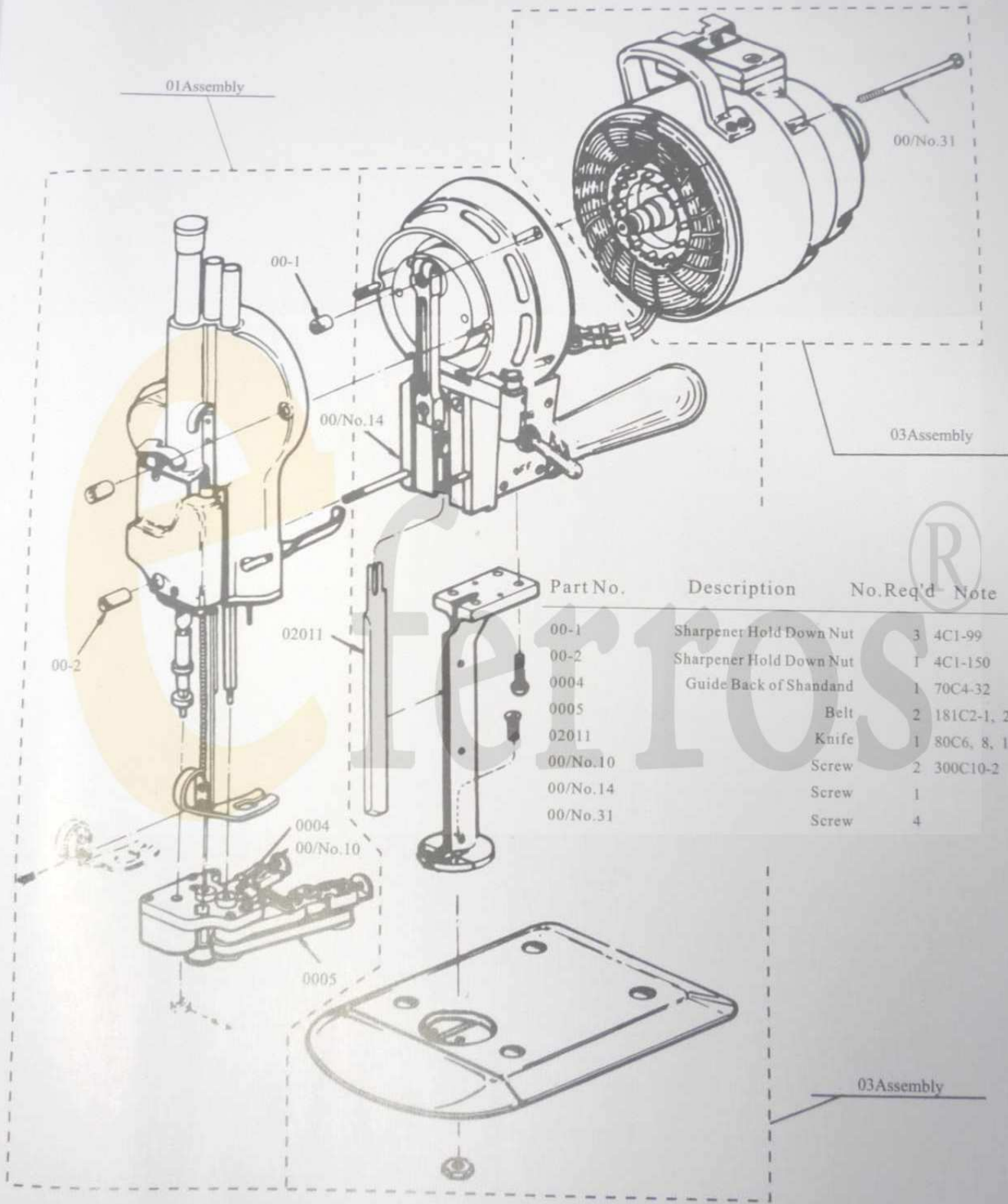
Do not operate sharpener without knife in machine or the sharpener will be damaged.

TO SHARPEN THE KNIFE

Take the machine out of the lay. Drop pressure foot by means of pressure foot lever located next to machine operating handle. Press release lever downward with a slow, firm pressure to engage sharpening mechanism. Too fast lever action may cause lever to lock. If this occurs, lift latch lever and start over. After a few tries you will feel correct operating pressure.

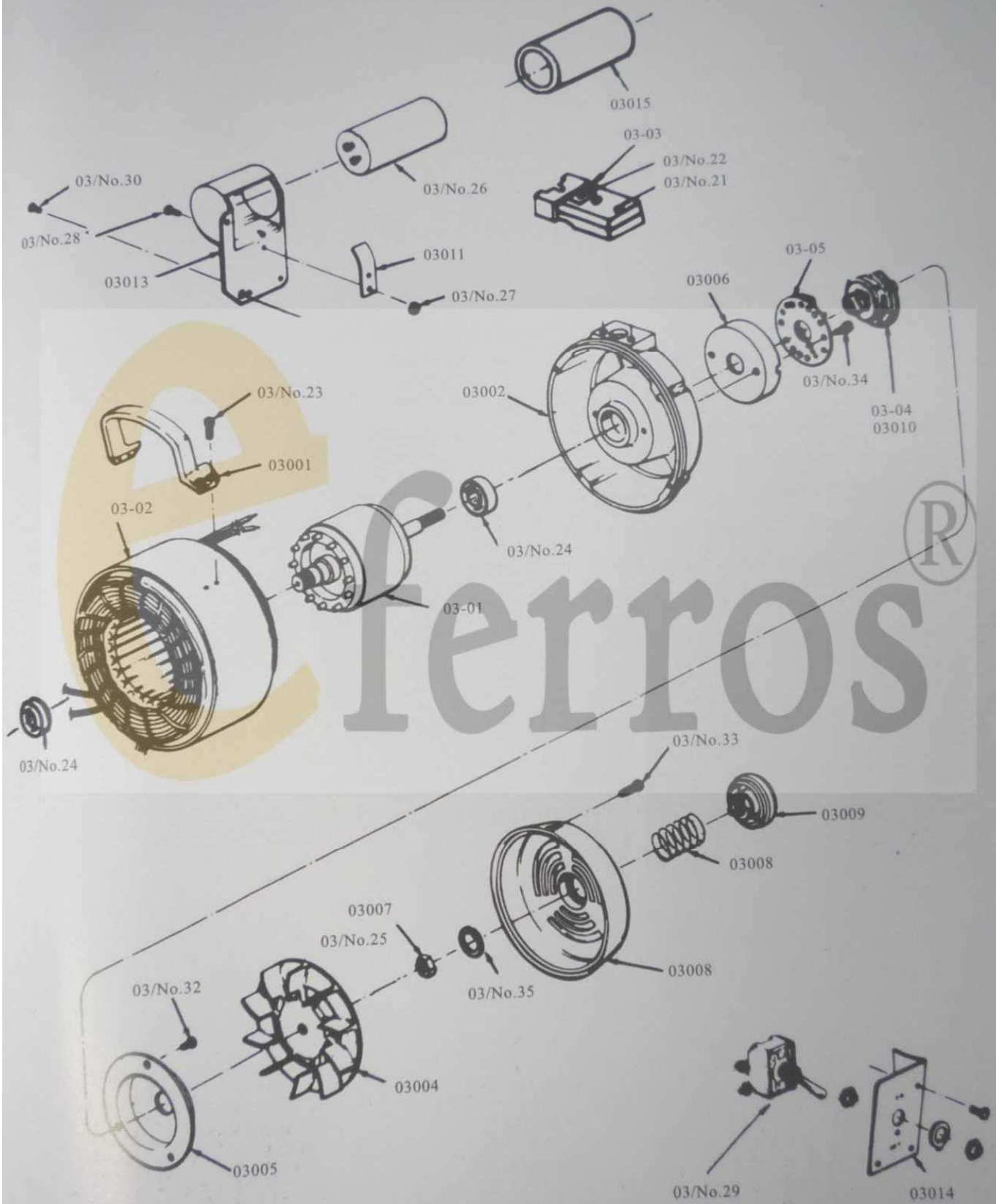
CUTTING MACHINE

Illustrated parts list

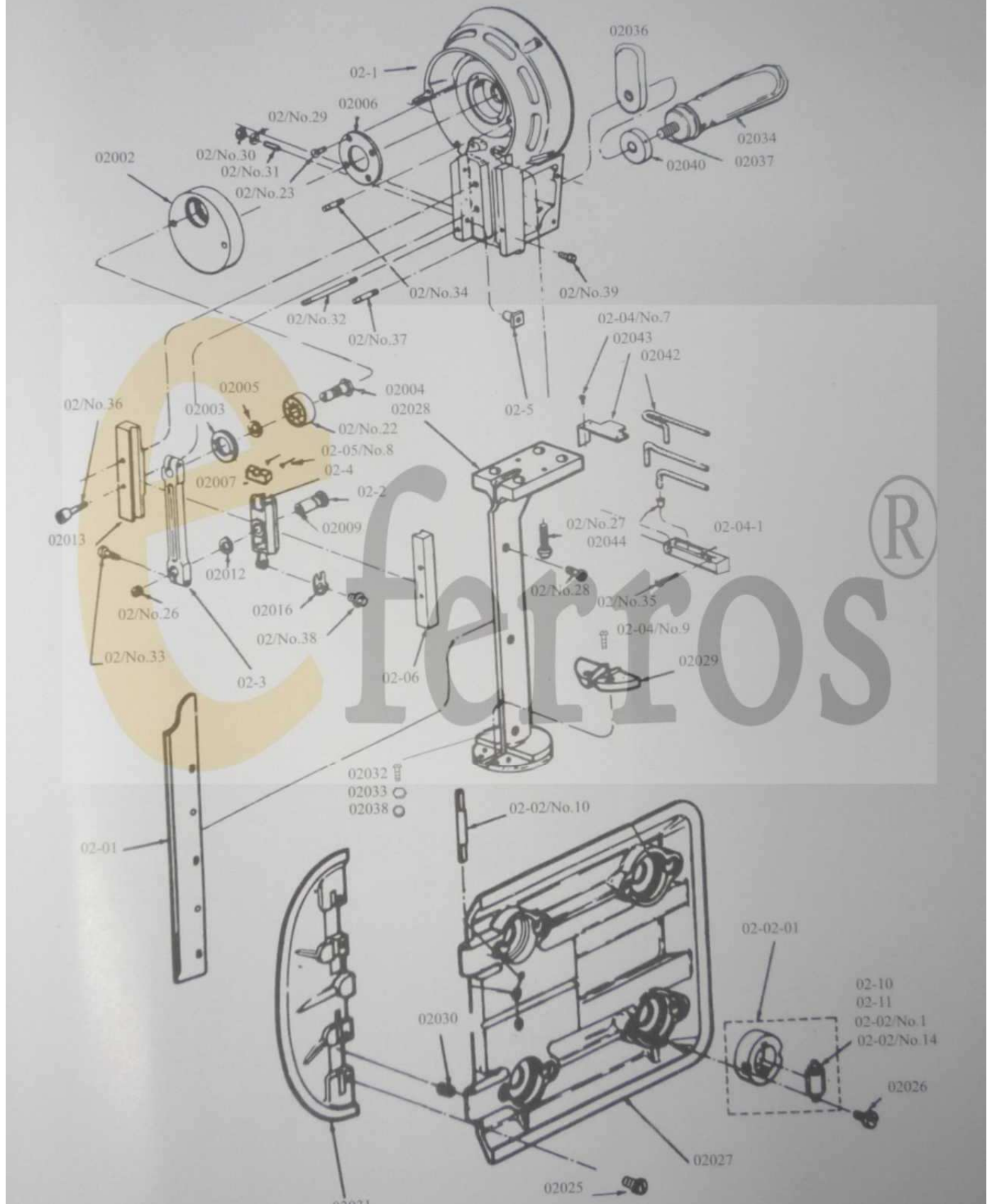


Part No.	Description	No. Req'd	Note
00-1	Sharpener Hold Down Nut	3	4C1-99
00-2	Sharpener Hold Down Nut	1	4C1-150
0004	Guide Back of Shandand	1	70C4-32
0005	Belt	2	181C2-1, 2, 5
02011	Knife	1	80C6, 8, 10
00/No.10	Screw	2	300C10-2
00/No.14	Screw	1	
00/No.31	Screw	4	

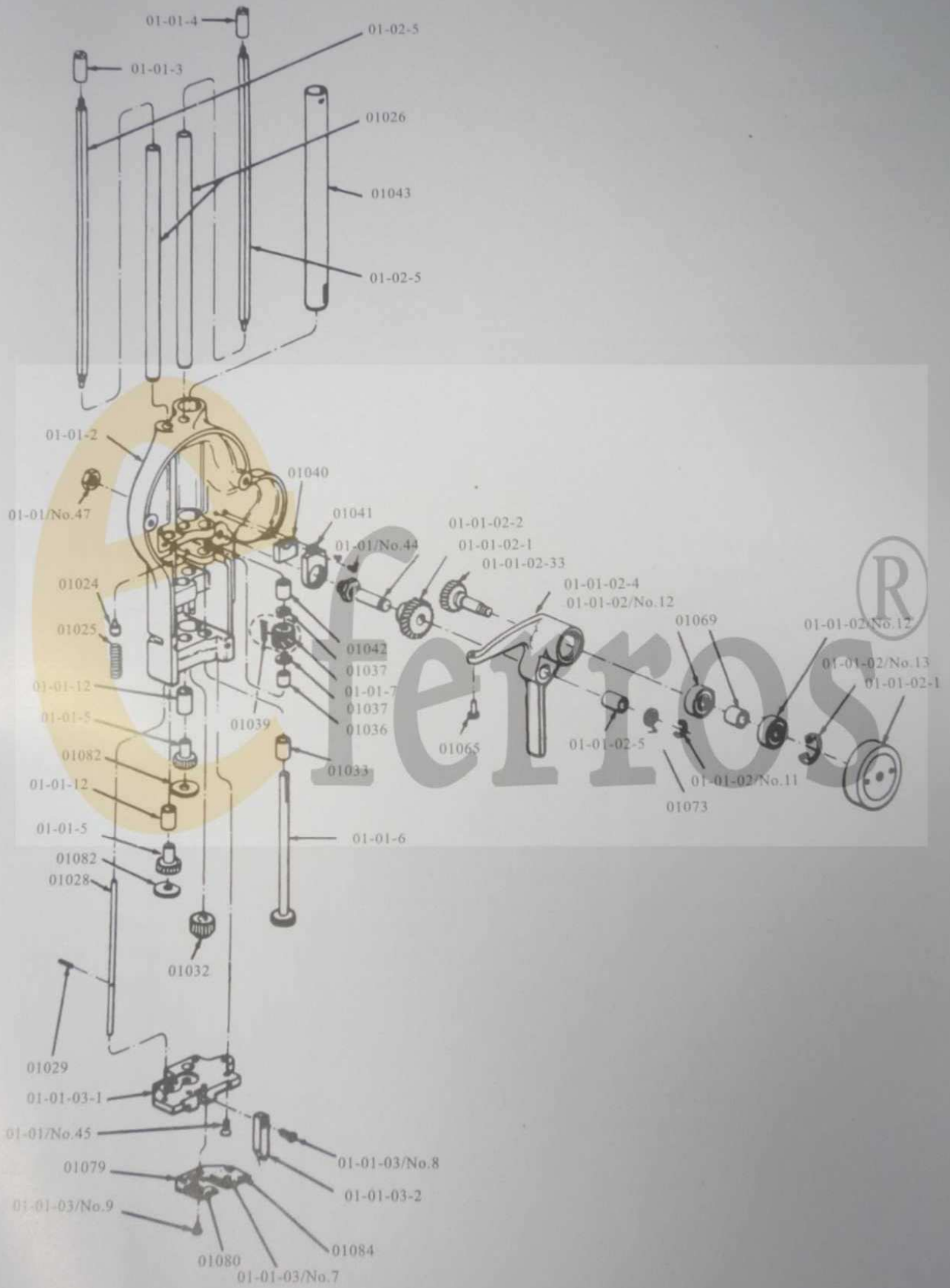
CUTTING MACHINE



CUTTING MACHINE



CUTTING MACHINE



CUTTING MACHINE

01

Assembly Illustrated Parts List

Part No.	Description	No. Req'd	Note	Part No.	Description	No. Req'd	Note
01-01-02-01	Driver Pulley with driver	1	602c1-9	01033	Bearing for Drive Shaft	1	90c4-29
01-01-2	Sharpener Housing	1	62c16-151	01039	Key	1	142c1-7
01-01-3	R.H. Follower Nut	1	4c2-85	01040	Felt Pad for Oil Retainer-Idler Gear	1	191c1-34
01-01-4	L. H. Follower Nut	1	4c2-86	01041	Oil Retainer-Idler Gear	1	71c1-10
01-01-5	Spur Gear 20	2	87c3-44	01042	Bearing for Drive Shaft	1	90c4-48
01-01-6	Driver Shaft with Gear	1	716c1-12	01043	Tube for Screw shaft	1	73c7-48,49
01-01-7	Spiral Gear 15	1	87c3-8	01065	Pin for Bell Crank	1	17c15-78
01-01-12	Bearing for Gears 20	2	90c4-33	01069	Spacer for Bell Bearings	1	55c4-41
01-01-01-1	Idler Gear	1	87c4-40	01073	Washer for Shaft	1	12c15-52
01-01-01-2	Shaft for Crank	1	11c12-64	01079	Oil Pad and Holder	1	727c1-6
01-01-01-3	Gear and Shaft	1	87c3-53	01080	L.H. Oil Pad	1	
01-01-01-4	Bell Crank	1	85c3-6	01082	Thrust Washer for Bottom Plate	2	12c15-30
01-01-01-5	Bearing for Bell Crank	1	90c4-34	01084	R.H. Oil Pad	1	
01-01-03-1	Bottom Plate	1	79c2-163	01-01/No.44	Screw	2	300c7-1
01-01-03-2	Spreader Pin	1	17c15-113	01-01/No.45	Screw	3	302c10-3
01-02-5	Square Shaft	2	11c12-56,57	01-01/No.47	Lock Nut for Shaft	1	4c2-2
01024	Pin for Sharpener Housing	1	17c15-82	01-01-02/No.11	Retaining Ring for Shaft	1	18c6-8
01025	Spring for Bell Crank	1	34c10-89	01-01-02/No.12	Ball Bearing for Crank	2	90c6-24
01026	Tube for Square Shaft	2	73c7-46,47	01-01-02/No.13	Retaining Ring for Bell Crank	1	18c6-26
01070	Push rod	1	65c6-75	01-01-03/No.7	Rivet	4	
01079	Bolt Pin for Push Rod	1	17c15-103	01-01-03/No.8	Screw	1	302c10-6
01032	Bearing for Screw Shaft	1	90c4-58	01-01-03/No.9	Screw	2	300c10-1
01036	Bearing for Drive Shaft	1	90c4-42				
01037	Thrust Washer 15	2	12c15-29				

CUTTING MACHINE

02

Assembly Illustrated Parts List

Part No.	Description	No. Req'd	Note	Part No.	Description	No. Req'd	Note
02-01	Knife Slide	1	643c1-41 43,47	02036	Handle Bracket	1	
				02037	Operating Handle Lock Nut	1	
02-1	Front Bearing Housing	1	90c2-139	02040	Oil Hole Cover	1	
02-2	Wrist Pin	1	17c4-6	02042	Long Wicking	3	
02-3	Connecting Rod	1	664c1	02043	Cover for Oil Tube	1	
02-4	Cross Head	1	579c2-17	02044	Eyelet	1	
02-5	Guide Adjustment Nut	3	4c3-8	02/No.22	Bearing	1	
02-6	R. H. Guide	1	525c1	02/No.23	Screw	4	
02-04-1	Oil Tube	1		02/No.24	Needle Pin	2	
02002	Crank	1		02/No.25	Retaining Ring for Shaft	1	
02003	Crank Ball Bearing, Lock Nut	1		02/No.26	Screw	1	54c4-32
02004	Shaft for Ball Bearing	1		02/No.27	Screw	4	
02005	Lock Nut for Shaft	1		02/No.28	Screw	3	
02006	Front Ball Bearing Retainer	1		02/No.29	Washer	9	
02007	Felt Pad for Cross Head	1		02/No.30	Nut	3	4c2-91
02009	Long Wickong	1	191c1-38	02/No.31	Screw	3	309c15-5
02012	Connecting Rod Washer	1	12c15-53	02/No.32	Stub, upper	1	15c13-34
01013	L.H. guide	1	525c1	02/No.33	Screw	2	20c5-17
02016	Knife Lock Washer	1	12c1-24	02/No.34	Stub, Lower	1	15c13-23
02-02-01	Rubber Mounted Roller	4	532c2-5	02/No.35	Screw	2	302c8-2
02-01	Swivel Roller Assembly	4	619c1-31	02/No.36	Screw	6	308c14-1
02-11	Swivel Roller Assembly	4	619c1-31	02/No.37	Stub, Lower	1	15c13-39
02-02/No.1	Swivel Roller Assembly	40	619c1-31	02/No.38	Screw	1	24c1-3
02-02/No.14	Swivel Roller Assembly	8	619c1-31	02/No.39	Screw	2	20c13-14
02026	Clamp Screw for Roller	12		02-02/No.10	Hinge Pin	2	
02027	Plate	1	2494404	02-02/No.7	Screw	4	300c3-2
02028	Standard	1		02-02/No.9	Screw	2	
02029	Throat Plates	2					
02030	Plate Wing Spring	1					
02031	Plate Wing	1	2494414				
02034	Operating Handle	1					
02032	Pillar Set Screw	1					
02033	Nut	1					
02038	Washer	1					

CUTTING MACHINE

03

Assembly Illustrated Parts List

Part No.	Description	No. Req'd	Note	Part No.	Description	No. Req'd	Note
03-01	Rotor with Shaft	1		03014	Switch Base	1	
03-02	Stator with Band	1		03015	Cover for Capacitor	1	
03-03	Terminal Block	1		03/N0.21	Screw	1	
03-04	Automatic Cutout Switch	1		03/N0.22	Screw	1	
03-05	Automatic Cutout	1		03/N0.23	Screw	4	
03001	Carrying Handle	1		03/N0.24	Rear Ball Bearing	2	
03002	Rear Bearing House	1		03/N0.25	Loading Spring Washer	1	
03003	Fan Cover	1		03/N0.26	Capacitor	1	
03004	Rotor Fan	1		03/N0.27	Shaft Lock Nut	1	
03005	Cover for Cutout	1		03/N0.28	Screw	1	
03006	Cutout Switch Mount	1		03/N0.29	Switch	1	
03007	Clutch Nut	1		03/N0.30	Switch	1	
03008	Clutch Spring	1		03/N0.32	Screw	1	
03009	Turning Knob	1		03/N0.33	Screw	1	
03010	Shaft Cover For Cutout	1		03/N0.34	Screw	1	
03011	Spring for Capacitor	1		03/N0.35	Retaining Ring	1	
03013	Capacitor Cover	1					

Maintenance Supplies

Part No.	Description	No. Req'd	Note
811	Wrench	1	95c-3
702	Six Cleaner	1	81c1-2
800	Square Sleeve	1	529c1-8
408	Attachment Plug	1	
0311	Knife	1	80c6,8,10
0005	Oil	10	